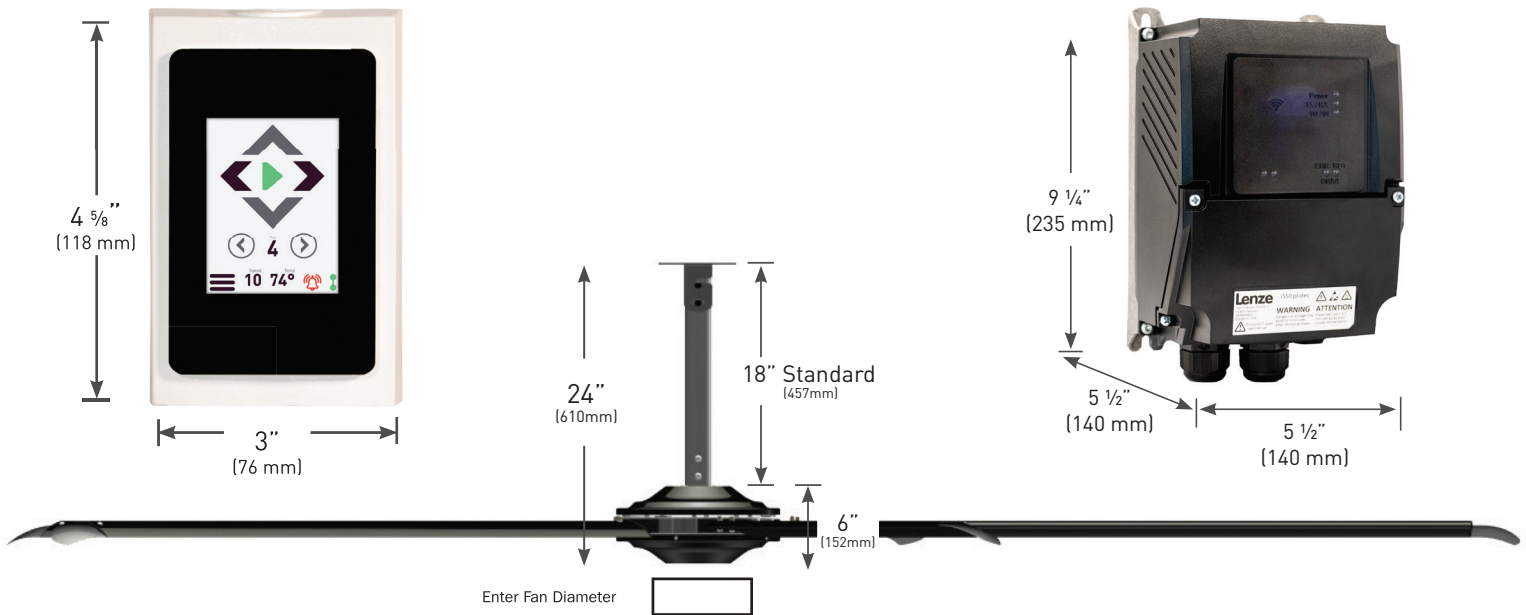




# COMMERCIAL HVLS FAN PRODUCT SPECIFICATIONS



## Sizing Chart

VFD PART#	6023470	6023490
VOLTAGE	120V/1PH/50 60 HZ	230V/1PH 3PH/50 60 HZ
FLA	7.4A	4.2A 1PH / 2.5A 3PH
BCPD	10A	5A
MOTOR	0.75HP, 3.3FLA @ 127V/60Hz	0.75HP, 3.3FLA @ 127V/60Hz
VFD	100-120/1PH 1HP/0.75KW/16.8A	200-240/1PH-3PH 1HP/0.75KW/4.2A
O/L	3.3A	3.3A

## Project Information

Job Name \_\_\_\_\_  
 Address \_\_\_\_\_  
 General Contractor \_\_\_\_\_  
 Distributor \_\_\_\_\_  
 Model \_\_\_\_\_ Quantity \_\_\_\_\_ Voltage/Phase \_\_\_\_\_

## Certified For Construction

By \_\_\_\_\_  
 Company \_\_\_\_\_  
 Address \_\_\_\_\_  
 Date \_\_\_\_\_



# COMMERCIAL HVLS FAN PRODUCT SPECIFICATIONS

## Control Options

- Wired Touch Screen
- Wired Touch Screen with Temperature Control
- Multi Fan Remote (2-6) Fans
- Slave Remote
- NEMA 4X Remote Enclosure
- NEMA 4X VFD Enclosure
- iFan 4.3 (12 Fans Max/3 Groups Max) \*120V Power Required
  - Humidity/Temperature Sensor
  - BACnet TCP/IP
- iFan 7.0 (24 Fans Max/4 Groups Max) \*120V Power Required
  - BACnet TCP/IP
  - BACnet MSTP
  - Humidity/Temperature Sensor
- iFan 10.0 (30 Fans Max/4 Groups Max) \*120V Power Required
  - BACnet TCP/IP
  - BACnet MSTP
  - Humidity/Temperature Sensor
- BMS Interface Card
  - Modbus TCP/IP
  - BACnet TCP/IP
  - BACnet MSTP
  - Slave Remote

## Mechanical Options

- Mounting Extensions \_\_\_\_\_ FT / M
- Silver (RAL 9006)
- Black (RAL 9017)
- White (RAL 9003)
- Red (RAL 3002)
- Extra Wide Beam Mount
- Laminated Wood Beam Brackets
- Truss Span Mounting Kit (consult factory)
- Z-Purlin Mounting Kit (consult factory)
- Blue (RAL 5013)
- Green (RAL 6016)
- Orange (RAL 2004)
- Others \_\_\_\_\_

## Voltage

- 120V Single Phase
- 208 - 240V Single Phase
- 208V 3 Phase

## Fire Panel

- Standard
- Networked

Fan Size	Motor	Hang Weight	RPM
6 FT	1/3 HP	50 lbs (22.7 kg)	180
8 FT	1/3 HP	54 lbs (24.7 kg)	155
10 FT	1/3 HP	59 lbs (26.8 kg)	110
12 FT	1/3 HP	63 lbs (28.6 kg)	80
14 FT	1/3 HP	68 lbs (30.8 kg)	60

## Available Colors

RAL powder coat colors. Custom colors and combinations are available.



4Front Engineered Solutions reserves the right to change specifications and designs without notice and without incurring obligations. 4Front Engineered Solutions products may be the subject of one or more U.S. and/or foreign, issued and/or pending, design and/or utility patents. Serco as words and logos are registered trademarks belonging to ASSA ABLOY Entrance Systems AB or other companies controlled by the same organization.

©ASSA ABLOY Entrance Systems. All Rights Reserved. Part of ASSA ABLOY

1612 Hutton Drive, Suite 140 • Carrollton, TX 75006, USA • [www.sercodockproducts.com](http://www.sercodockproducts.com)



SSF-CHVLS-0623

E506041