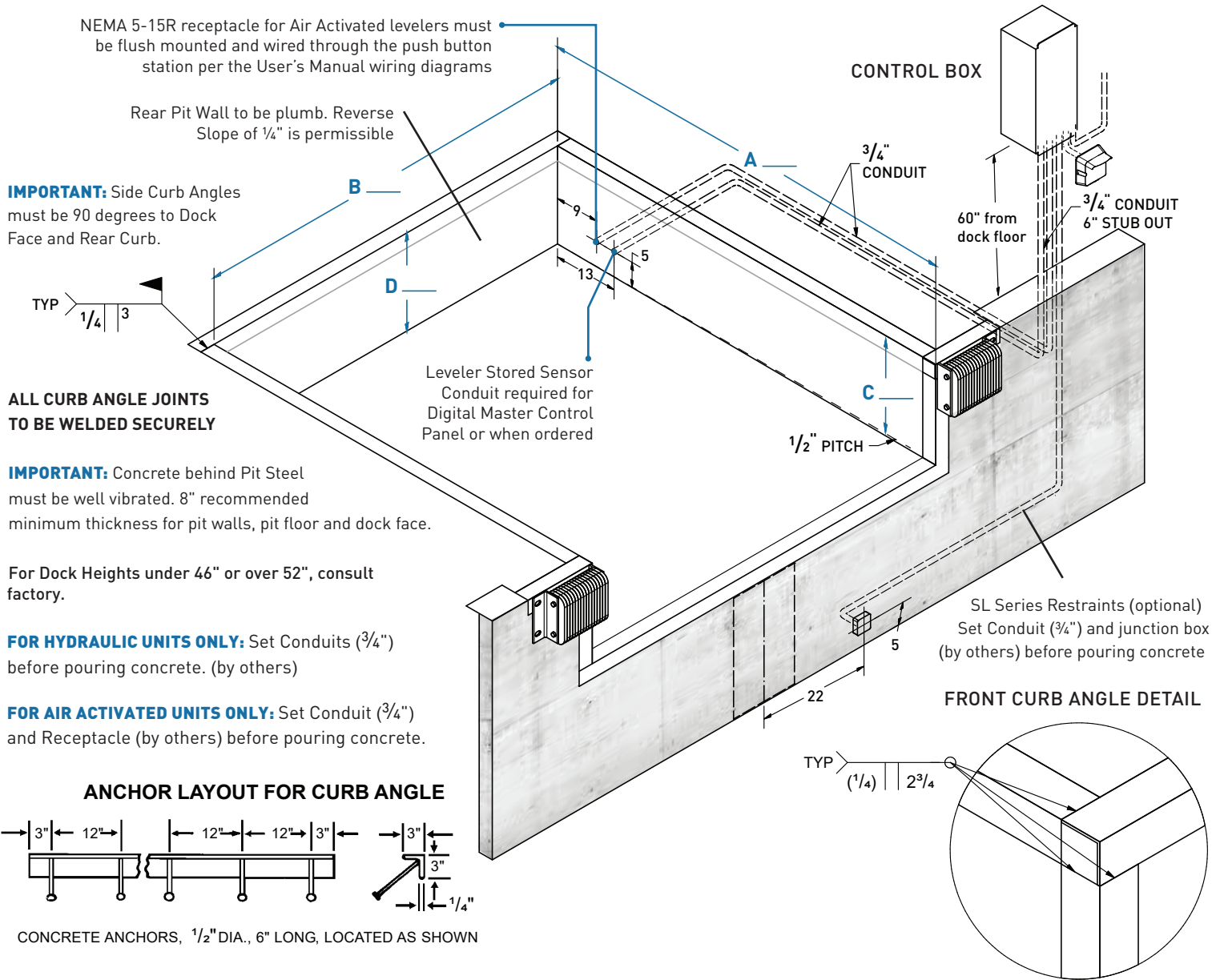




# Hydraulic, Mechanical and Air-Powered Dock Levelers Straight Pit Details



### PROJECT INFORMATION

JOB NAME \_\_\_\_\_

ADDRESS \_\_\_\_\_

GENERAL CONTRACTOR \_\_\_\_\_

DISTRIBUTOR \_\_\_\_\_

MODEL \_\_\_\_\_ VOLTAGE \_\_\_\_\_ QUANTITY \_\_\_\_\_

### CERTIFIED FOR CONSTRUCTION

BY \_\_\_\_\_

DATE \_\_\_\_\_

COMPANY \_\_\_\_\_

ADDRESS \_\_\_\_\_

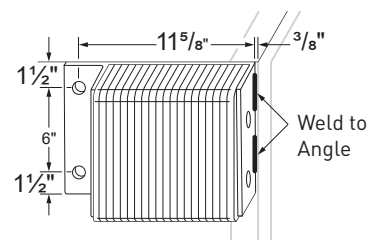
**WARNING:** Death or serious injury could result from failure to follow Serco specifications for pit dimensions and/or configurations, or conduit location; improper installation of dock leveler, anchoring devices or optional/accessory equipment; installation into improperly formulated, prepared or placed concrete or concrete which is otherwise inadequate or unsound.

Pit Dimensional Tolerances are +/- 1/8" on squareness, Depth, Width and Length.  
 SERCO Assumes No Liability for Deviations beyond this Tolerance.

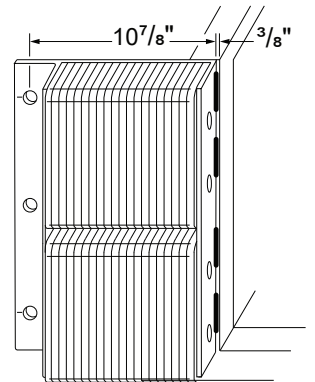
DIMENSIONS BELOW ARE FOR ALL AB, WL, WS, HL Series PIT TYPE LEVELERS OF 30-50K CAPACITIES. FOR HD 60,000 LBS AND 80,000 LBS CAPACITY LEVELERS DIM "C" IS 24" AND DIM "D" IS 23 1/2" FOR ALL SIZES. 5', 6' & 8' LONG LEVELERS OF 30-50K CAN BE PLACED IN 24" DEEP PITS WITH OPTIONAL RISER KIT.									
MODEL	PIT DIMENSIONS				*CURB ANGLE LENGTHS (Qty.)				
	DIM "A"	DIM "B"	DIM "C"	DIM "D"	REAR (1)	FRONT (1)	SIDE (2)	FACE (2)	BUMPER (2)
5' x 6' †	51"	73"	20"	19 1/2"	79"	79"	48"	17"	Varies with application
6' x 6'	63"	73"	20"	19 1/2"	79"	79"	60"	17"	
8' x 6'	87"	73"	20"	19 1/2"	79"	79"	84"	17"	
10' x 6'	111"	73"	24"	23 1/2"	79"	79"	108"	21"	
12' x 6' †	135"	73"	24"	23 1/2"	79"	79"	132"	21"	
6' x 6'6"	63"	79"	20"	19 1/2"	85"	85"	60"	17"	
8' x 6'6"	87"	79"	20"	19 1/2"	85"	85"	84"	17"	
10' x 6'6"	111"	79"	24"	23 1/2"	85"	85"	108"	21"	
12' x 6'6" †	135"	79"	24"	23 1/2"	85"	85"	132"	21"	
6' x 7'	63"	85"	20"	19 1/2"	91"	91"	60"	17"	
8' x 7'	87"	85"	20"	19 1/2"	91"	91"	84"	17"	
10' x 7'	111"	85"	24"	23 1/2"	91"	91"	108"	21"	
12' x 7' †	135"	85"	24"	23 1/2"	91"	91"	132"	21"	

**\* NOTE - CURB ANGLES SUPPLIED BY OTHERS. † N/A ON MECHANICAL LEVELERS**

**LAMINATED BUMPERS**



- B410-14F (standard for 30 - 50K)
- B610-14F (standard for 60 - 80K)

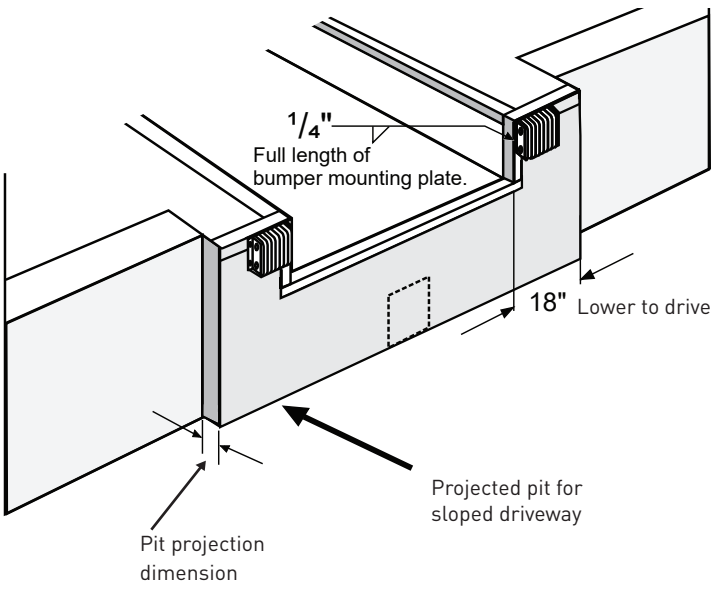


- VB420-11F (optional for 30 - 50K)
- VB620-11F (optional for 60 - 80K)

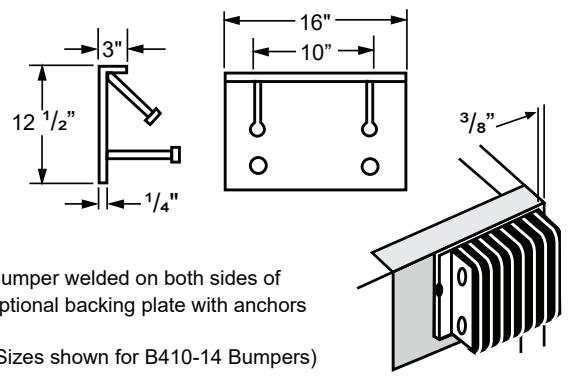
**PIT PROJECTION GUIDE FOR DECLINE DRIVE CONDITIONS**

PERCENTAGE OF DRIVEWAY GRADE	0%	1%	2%	3%	4%	5%	6%	7%	8%	9%	10%
PIT PROJECTION	0"	2"	3"	4"	5"	6"	8"	9"	10"	11"	12"

**NOTE:** If metal or decorative facing is used, add an extra inch of pit protection for every inch of facing projection.  
**NOTE:** If pit projects more than 4", concrete specifications should be reviewed with qualified structural engineer.



**(OPTIONAL) BUMPER MOUNTING PLATE**



**LEVELER ELECTRICAL REQUIREMENTS**

- VOLTAGE  120  208  240  
 480  575
- PHASE  1Ø  3Ø
- FREQUENCY  60 Hz  50 Hz

Hydraulic Leveler Series	Hydraulic Dockleveler Control	Voltage (V) and Phase (PH)	Quantity and Wire Gauge (GA)			Total Quantity of Wires
			12 GA	14 GA	18 GA	
HL	Standard Control Box	115V / 1PH	3			3
		230V / 1PH		3		3
		190-575V / 3PH		4		4
HLR	Optional Control Box w/ARTD	115V / 1PH	3		2	5
		230V / 1PH		3	2	5
		190-575V / 3PH		4	2	6
HLQ	Optional Control Box w/3BC	115V - 230V 1PH	3		3	6
		190-575V / 3PH		4	3	7
HFC	Optional Control Box w/ARTD & 3BC	190-575V / 3PH	3		5	8
		115V - 230V 1PH		4	5	9

ARTD = Auto Return to Dock  
 3BC = Three Button Control allows independent control of lip with E-stop



1612 Hutton Drive, Suite 140 Carrollton, TX 75006  
 800.933.4834 sercodockproducts.com

4Front Engineered Solutions reserves the right to change specifications and designs without notice and without incurring obligations. 4Front Engineered Solutions products may be the subject of one or more U.S. and/or foreign, issued and/or pending, design and/or utility patents. Serco as word and logo are registered trademarks belonging to ASSA ABLOY Entrance Systems AB or other companies controlled by the same organization. All rights reserved.