



# SI 350 Inflatable Dock Seal

## Product Specifications



### DESIGN HIGHLIGHTS

- Tight, energy-efficient seal
- Minimal pressure to the building wall
- Full-width adjustable header seal
- Choice of fabric and colors

### APPLICATION DATA

The Serco SI-350 is designed for sloped drive conditions for doors up to 8' wide and 10' high and is ideal for prefabricated buildings where excessive wall pressure could damage the building structure.

In sloped drive conditions, the slightly tapered vertical seals form a seal parallel to the sides of the trailer while the adjustable header inflates to seal the trailer top.

Standard unit size 9'-4" W x 11'-8" H to fit door openings 8' W x 10' H or smaller. Bottom of head frame to be minimum of 15' off ground. Minimum projection beyond bumpers 6".

Front opening is 7'-6" W and header curtain has drop of 48". On a 48" dock height this would service trailers 11' to 13'-6" H.

Wiring from 110 power source to switch and from switch to motor/blower by others. If other than standard unit required consult factory.

### CERTIFIED FOR CONSTRUCTION

BY \_\_\_\_\_

COMPANY \_\_\_\_\_

ADDRESS \_\_\_\_\_

DATE \_\_\_\_\_

### SPECIAL INFORMATION SPECIFY

\_\_\_\_\_

\_\_\_\_\_

\_\_\_\_\_

\_\_\_\_\_

### PROJECT INFORMATION

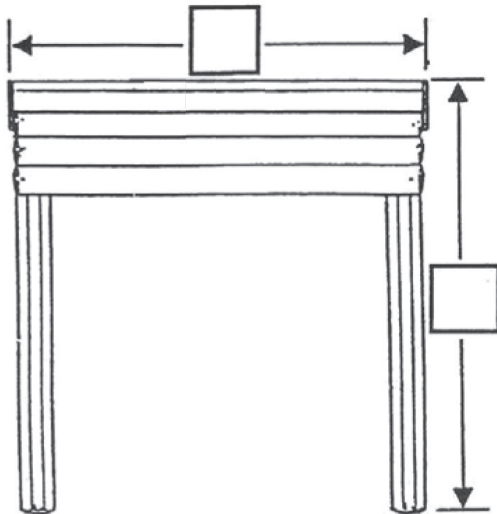
JOB NAME \_\_\_\_\_

ADDRESS \_\_\_\_\_

GENERAL CONTRACTOR \_\_\_\_\_

DISTRIBUTOR \_\_\_\_\_

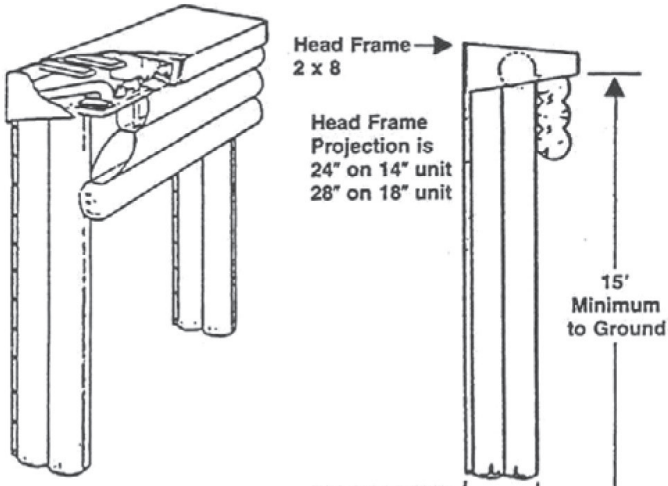
QUANTITY \_\_\_\_\_



Quantity \_\_\_\_\_ Door Opening: \_\_\_\_\_  
 Dock Height: \_\_\_\_\_  
 Unit Size: \_\_\_\_\_ W x \_\_\_\_\_ H x \_\_\_\_\_ Projection  
 Truck Coverage (off ground): \_\_\_\_\_ to \_\_\_\_\_ -  
 Approach: Level \_\_\_\_\_ Incline \_\_\_\_\_  
 Decline \_\_\_\_\_ Percentage \_\_\_\_\_  
 Difference in 50': \_\_\_\_\_

**Curtain Material:**

- 16 oz Hypalon®:  Black  Tan  Brown  Blue  Green
- 14 oz Polyurethane:  Black
- 9 oz Vinyl:  Tan



\*Note: Maximum % of slope without tapering shelter frame is 3%



**Sercos**  
 1612 Hutton Drive, Suite 140  
 Carrollton, TX 75006  
 800.933.4834  
 www.sercodockproducts.com